

PULSATION

Micro-Pulse Pulsation PCB



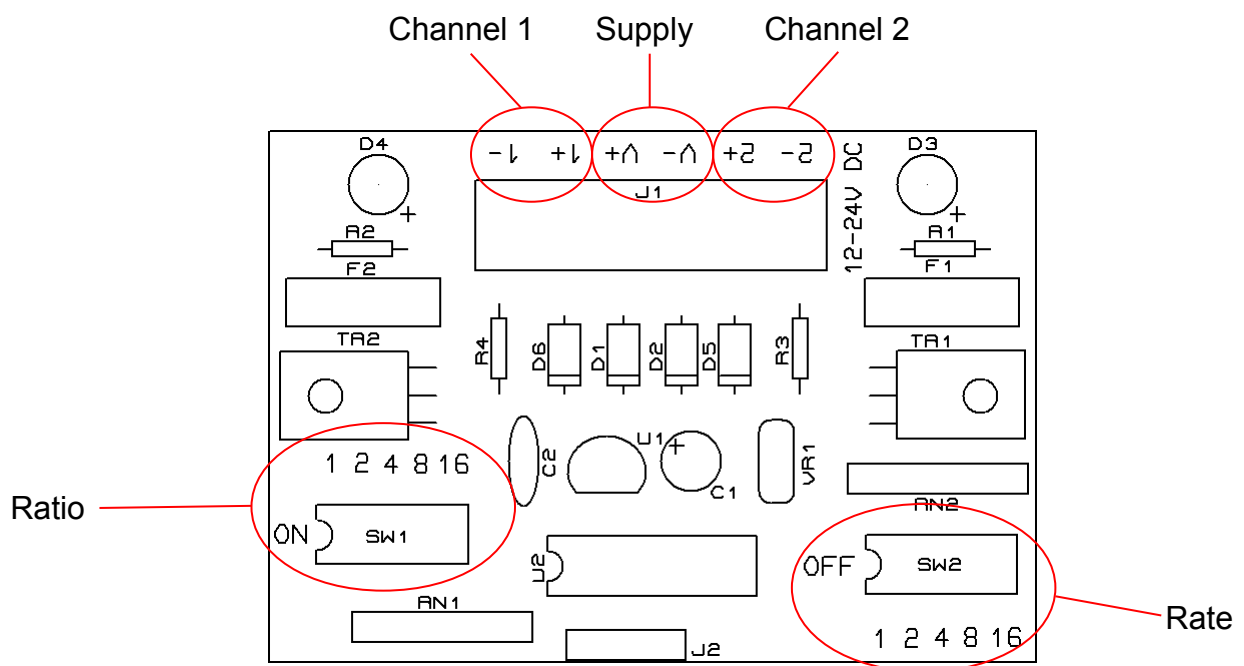
Installation & Operation Manual^{iss1}



PRODUCT INFORMATION

Operates on 12 or 24 Volt D.C. supplies.
 Protected pulsator outputs (2.5 Amp thermal fuse).
 Pulsation waveform period error +/- 0.02 seconds.
 PCB Dimensions 65mm x 45mm.
 Adjustable pulsation rate - 50, 60, 70, 80 and 90 pulses per minute.
 Adjustable pulsation on/off ratio - 50/50, 55/45, 60/40, 65/35 and 70/30.
 Channel 1 and 2 are 50% out of phase.

PULSATION PCB LAYOUT



DIPSWITCH SETUP

Only one ON Dip-switch should be set at any time.

ON Dip-switch No.	1	2	4	8	16
(Ratio)	50/50	55/45	60/40	65/35	70/30

Only one OFF Dip-switch should be set at any time.

OFF Dip-switch No.	1	2	4	8	16
(Rate P.P.M.)	50	60	70	80	90

SPECIFICATION

Product Name	Micro-Pulse (17701109A)			
Product Family	Pulsation			
Enclosure				
IP Rating	N/A			
Material	N/A			
Dimensions	W		L	D
Electrical				
Supply Voltage	12 - 24 volts D.C.			
Maximum Peak Voltage	28 volts D.C.			
Frequency	N/A			
Maximum Current Load	1.5 Amps (Solenoid Output)			
Protection	2.5 Amp thermal fuse per output			
Environmental Conditions				
Temperature	0 to 45°C			
Humidity	5 to 95%			
Location	Indoor use only			
Approvals				
EMC Conformity to: EN 61000-6-1:2007, EN 61000-6-3:2007, EN 55022:2006				